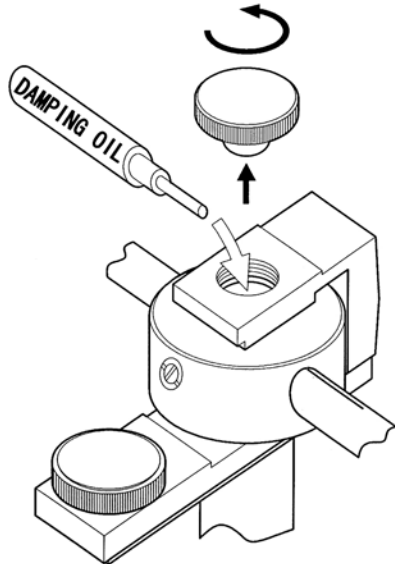
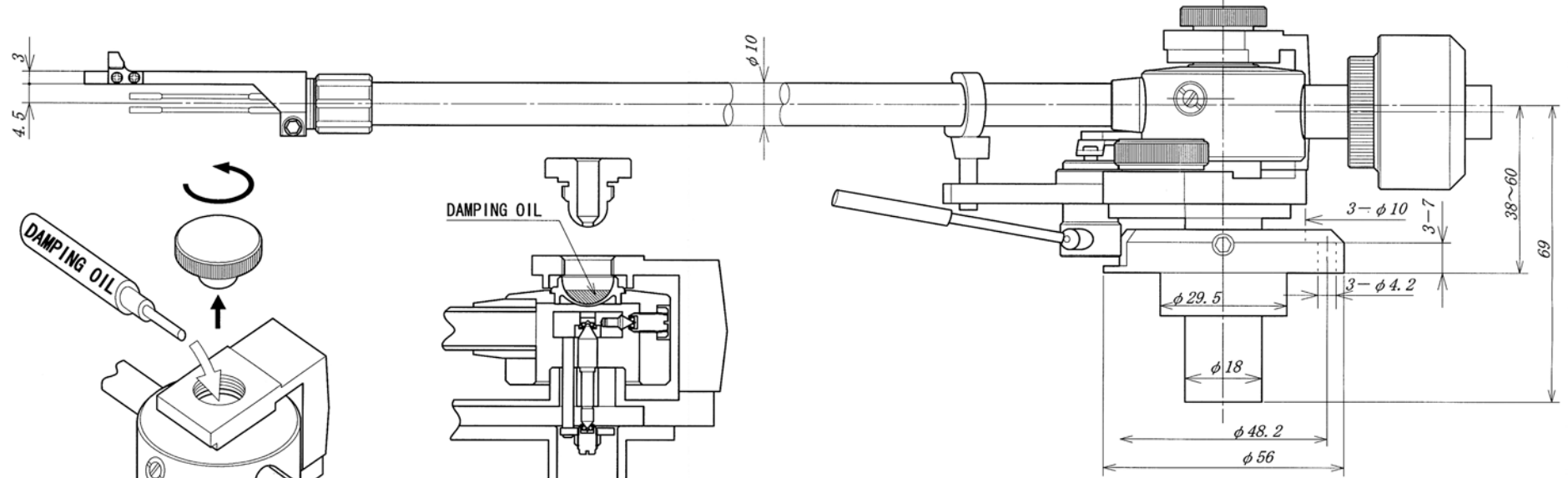
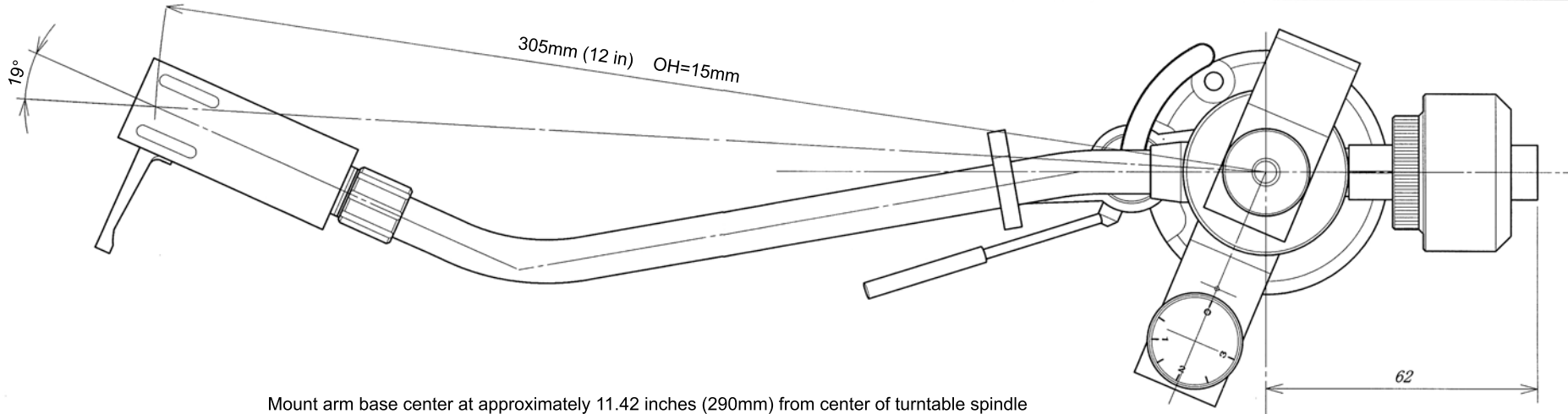
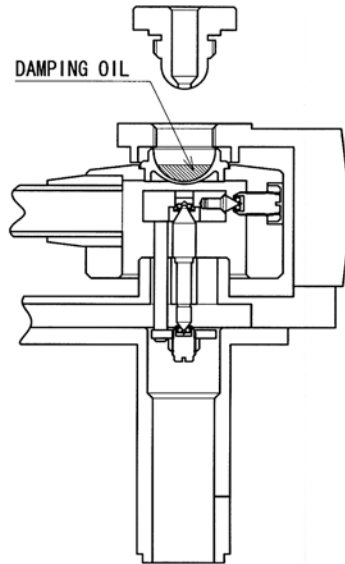


TOLERANCE	I	II	III	ANGLE	SYMBOL	DATE	REVISION
0.5 ~ 6	±0.05	±0.1	±0.2	±0.5°	△ x		
6 ~ 30	±0.1	±0.2	±0.5	±1°	△ x		
30 ~ 120	±0.15	±0.3	±0.8	±1.5°	△ x		
120 ~	±0.2	±0.5	±1.2				



Unscrew cap at top of tonearm, and pour silicon damping oil into reservoir



Fill reservoir cup to approximately half full level as illustrated above

No.	QNT	DRAWING No.	PARTS NAME	MATERIAL	FINISH	NOTES
MATERIAL				Magnesium and Aluminum		
FINISH				S260-DP TONEARM		
DESIGNED			APPROVED	DRAWING No.		
DRAWN			CHECKED	P260-DP-A		
MARCH 10, 2016						
3RD ANGLE PROJECTION						
UNIT: mm			SCALE 1 : 1			
REK-O-KUT						