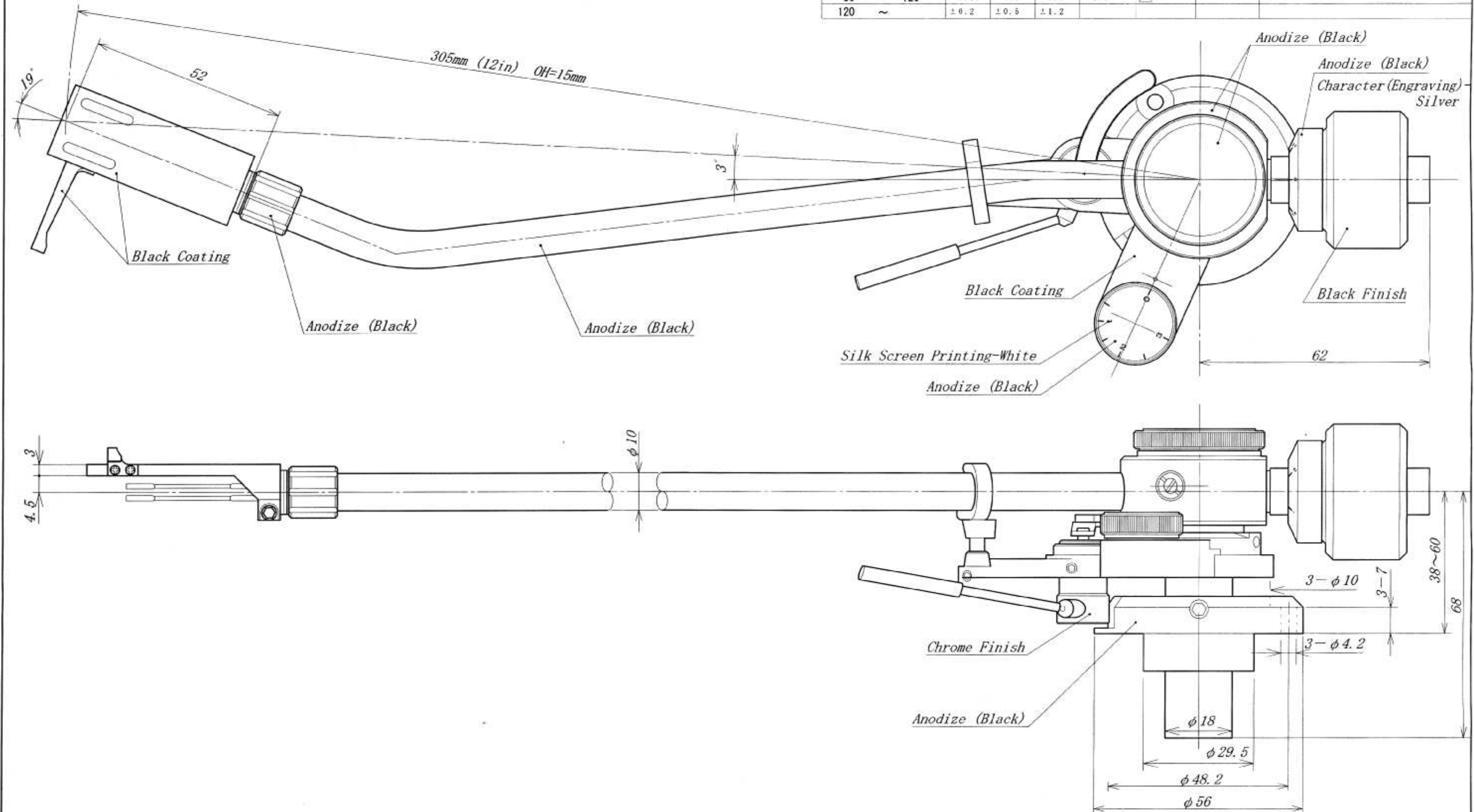


TOLERANCE	I	II	III	ANGLE	SYMBOL	DATE	REVISION
0.5 ~ 6	±0.05	±0.1	±0.2	±0.5°	△ ×		
6 ~ 30	±0.1	±0.2	±0.5	±1°	△ ×		
30 ~ 120	±0.15	±0.3	±0.8	±1.5°	△ ×		
120 ~	±0.2	±0.5	±1.2				



No.	QNT	DRAWING No.	PARTS NAME	MATERIAL	FINISH	NOTES
MATERIAL				PARTS NAME		
Aluminum & Magnesium				S-260 MKII Tonearm		
FINISH				DRAWING No.		
Black Anodize				P260IIB		
DESIGNED			APPROVED			
DRAWN			CHECKED			
8/10/11 M. Stosich						
S-260 MKII			3RD ANGLE PROJECTION			
MODEL No.			UNIT: mm		SCALE 1 : 1	
<b>REK-O-KUT BY ESOTERIC SOUND</b>						